

## Type 720

The pallet rail Type 720 is a universal roller rail which is frequently used for pallet transport. Roller tracks for euro-pallets, boxes and other carriers with roller rail approved surface are simply built of this item.

Equally for intralogistic, linking workspace or lateral guide – the pallet rail Type 720 is of versatile use.

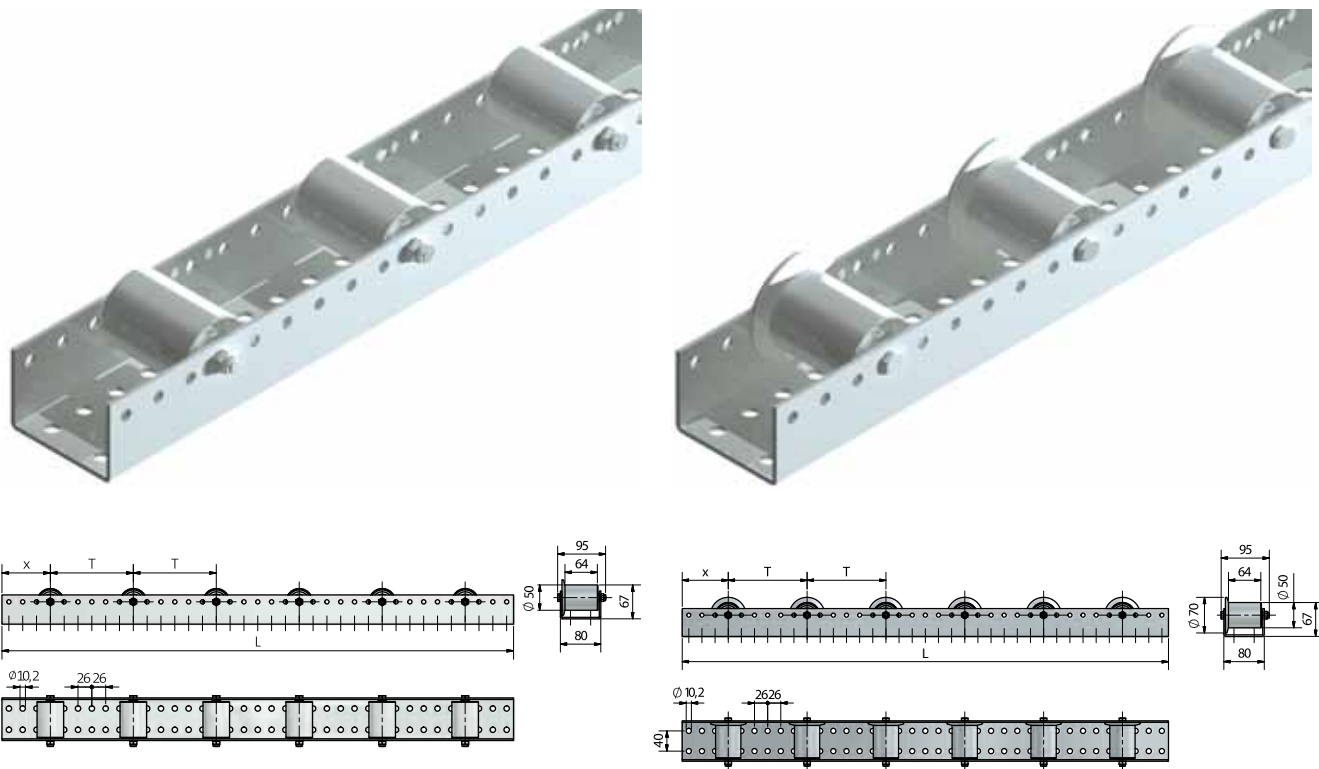
The pallet rail consists of a galvanized U-profile, 55 mm high and 80 mm in width. The profiles are equipped with rollers  $\varnothing$  50 mm in a pitch of 52, 78, 104, 130, 156 mm etc.

Two additional holes in the bottom serve for mounting the rail onto a frame or directly to the ground.

Wy: 4,6 cm<sup>3</sup>

ly: 17 cm<sup>4</sup>

Available up to 6.006 mm increment 26 mm, intermediate on request (surcharge).



### Pallet rail Type 720 – Technical Data

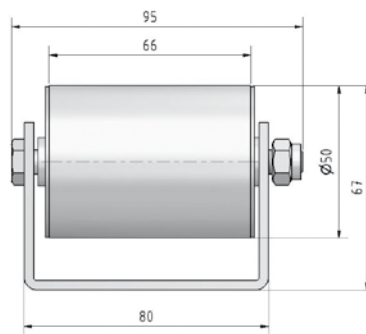
Applications	Pallettransport, intralogistic, linking of workspace, lateral guide
Rail material	galvanized U-profile
Load capacity per roller	steel roller 150 kg/pcs.
Moment of resistance – in cm <sup>3</sup>	4,6
Diameter in mm	50
Pitch in mm	52, 78, 104, 130, 156, etc.

## Type 720 - Accessories

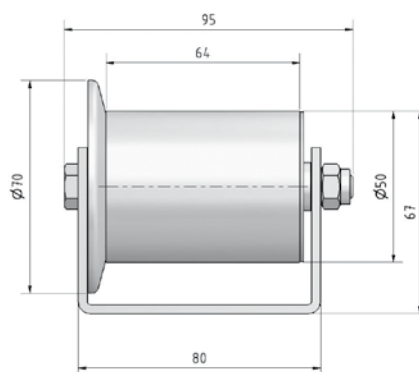
720 Profile  
 Order example: 720 Profile L = 2.444



720 - 200-50x1.5 STI



720 - 200-50x1.5 STI SK



## Type 720

### Pitch

52, 78, 104, 130, 156  
increment 26 mm

### Roller type

SK – flanged roller  
without designation – standard

### Length

available up to 6.006 mm,  
increment 26 mm

### Order example

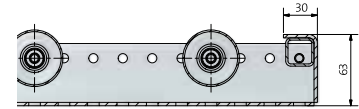
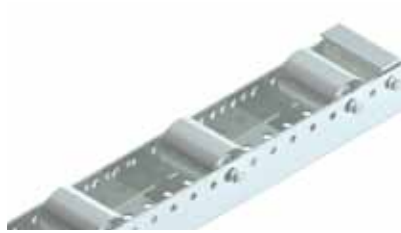
720-156 SK 2.444

Profile .....  
Pitch T .....  
Type of Roller .....  
Length .....

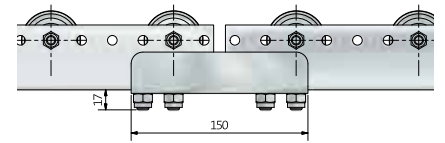


# Type 720 - Accessories

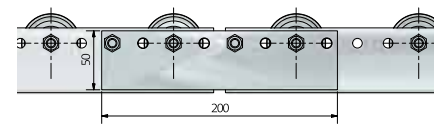
720  
Roller protection



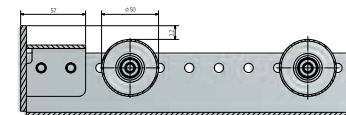
720  
Connector U



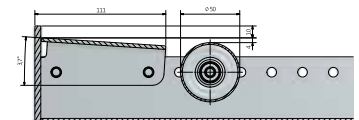
720  
Connector side



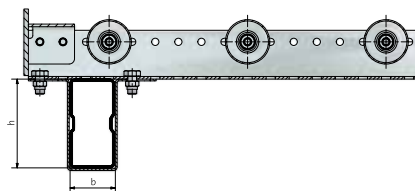
720  
End stopper



720  
End stopper friction

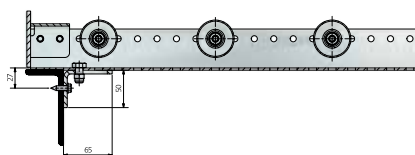


720  
Fixing clip



Please give dimensions of rack beam when ordering e.g.: Fixing clip 100 x 50 for a beam with  $h = 100$  mm and  $b = 50$  mm (required when ordering, if req. drawing of beam)

720  
Fixing angle



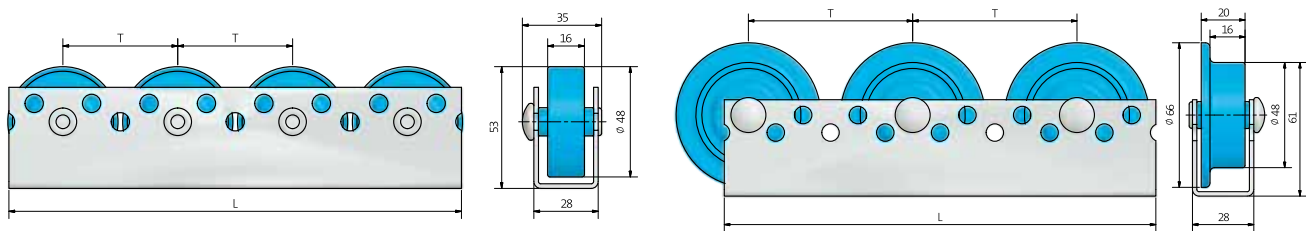
## Type 723

The roller rail consists of a cold-rolled, galvanized steel profile of 2 mm thickness. The profile has laterally two distinct series of holes at different heights with a pitch of 25 mm. The diameter is 8,1 mm.

The design of the rail allows to fix the  $\varnothing 48$  mm roller either with tubular rivets (standard) or bolts M8 in a screen width of 50 mm, 75 mm, 100 mm etc.

Several rollers can be placed side by side in one, two, three or more rails. Furthermore the rollers can be placed with offset and different roller types can be combined.

Available up to 6.000 mm  
 Increment 25 mm – 3 mm offcut  
 Intermediate on request (surcharge)



### Roller rail Type 723 – Technical Data

Applications	carton- & plastic box transport, flow-through-rack, commissioning store, guide, assembly machines
Rail material	galvanized steel profile
Load capacity per roller	plastic roller 10 kg steel roller 20 kg
Moment of resistance – in $\text{cm}^3$	2,2
Diameter in mm	48
Length in mm	6.000
Pitch in mm	50, 75, 100, usw.

# Type 723

**Pitch:**

50, 75, 100, 125, 150  
 increment 25 mm

**Roller type:**

- A – All-side roller
- K – plastic roller
- SPK – flanged roller - plastic
- SPS – flanged roller - steel
- w. d.\* – steel roller

**Position hole series**

- O – upper series
- w. d.\* – lower series
- (Standard, except for flanged rollers)

**Length**

Available up to 6.000 mm  
 Total length: x × 25 mm – 3 mm offcut

\* without designation

**Order number**

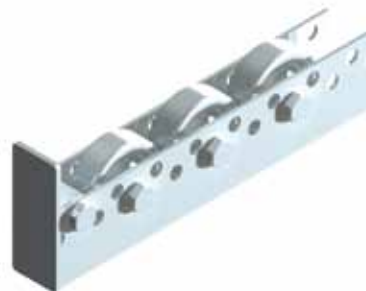
723-150 K O 2.447



723 Profile



723 End stopper



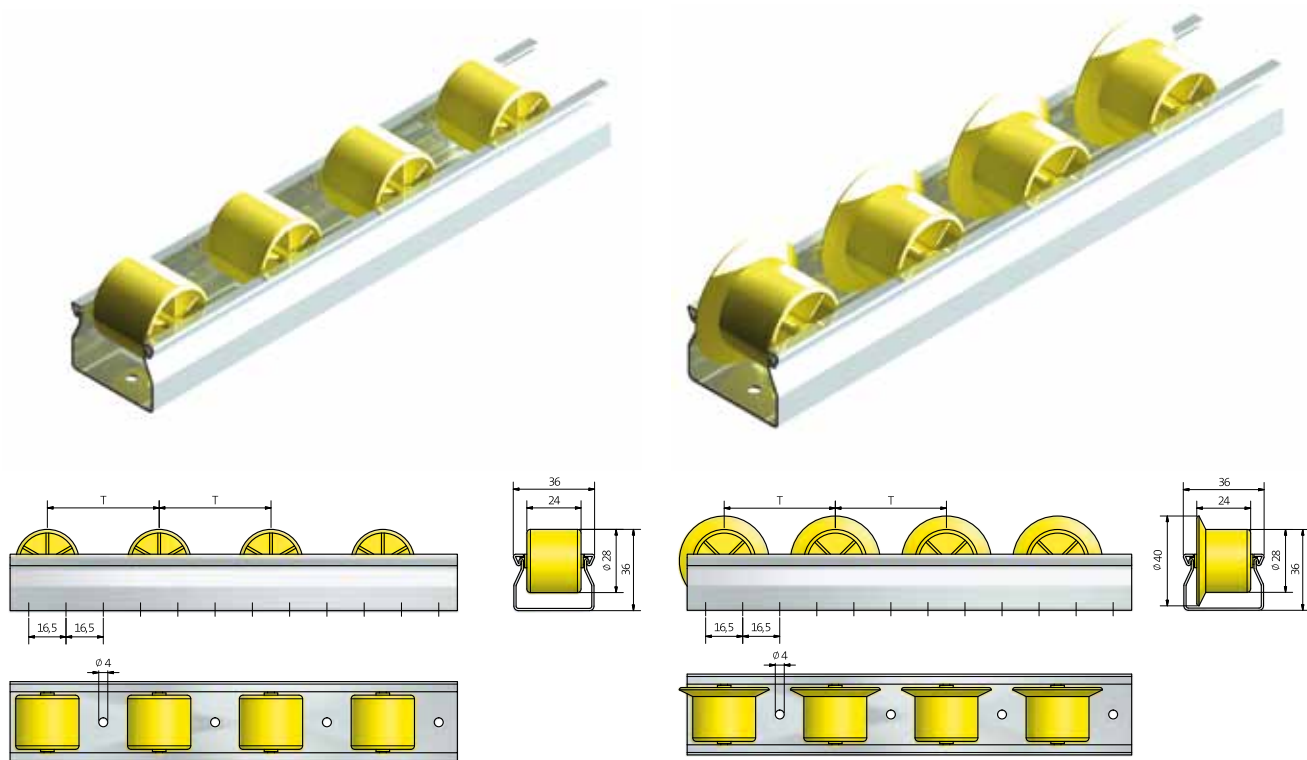
## Type 726

The main field for minirails is the use in flow through-racks. Also, the stable running of transport boxes and carts allows various application

- guiding rails for conveyors
- rail-tracks and rail-carpets for linking workstations
- Packing and commissioning tables
- assembly aid, e. g. in wood-processing and window production

The steel shaft of the wheel warrants high load capacity and a very low frictional resistance. The wheels consists of high-quality thermoplastic resin, which is impact-resistant. The material is resistant against acids and lyes and does not absorb moisture.

The torsion-resistant minirail-profile is a rolled galvanized steel-sheet and has its edges rounded in all directions. Due to application different pitches (33 mm, 50 mm, 66 mm, 83 mm, 100 mm etc.) as well as flanged or standard wheels may be applied.



### Minirail Type 726 – Technical Data

Applications	rail-tracks, rail-carpets, guide, worktable, linking worktables
Rail material	Steel profile
Load capacity per wheel	plastic wheel 2 kg/pcs.
Moment of resistance – in cm <sup>3</sup>	0,5
Diameter in mm	28
Pitch in mm	33, 50, 66, 83, 100, usw.
temperature range (°Celsius)	-30 to +80

# Type 726

## Pitch:

33, 50, 66, 83, 100  
increment 16,5 mm

## Wheel type:

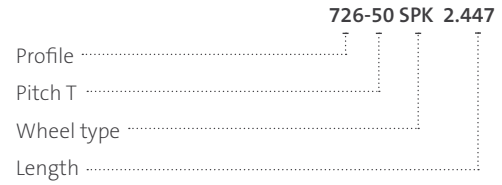
w.d\* – plastic wheels  
SPK – flanged wheels - plastic  
G – split wheels  
TK – deep-freeze  
L – conductive

## Length

Available up to 4.500 mm  
Increment 16,5 mm

\* without designation

## Order example



The minirail with steel shaft for smooth material flow and noiseless transport is:

- strong and tough
- economic and reasonably-priced
- variably deployable

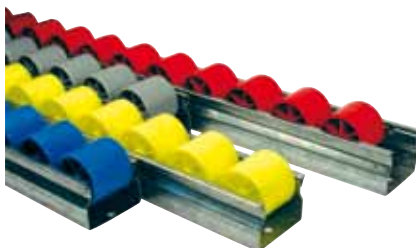
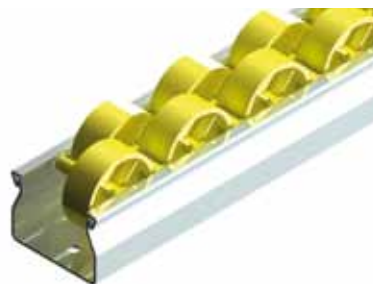
Wheels available for deep-freeze **T** and conductive **A**  
– various colours on request

Available up to 4.500 mm  
increment 16,5 mm, intermediate on request

726 Profile



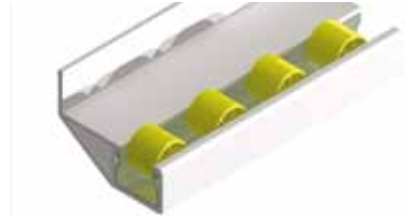
726 Profile - split wheel





## Type 726 - Accessories

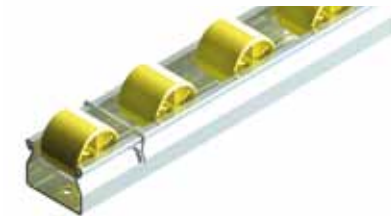
Plastic guide central / lateral  
 order example: 726-plastic  
 guide central



Braking ramp  
 order example: 726-braking ramp



Anti-opening clip  
 order example: 726-anti  
 opening clip



Holding clip  
 order example: 726-holding clip



End stopper / anti-return buffer  
 order example: 726-end stopper

