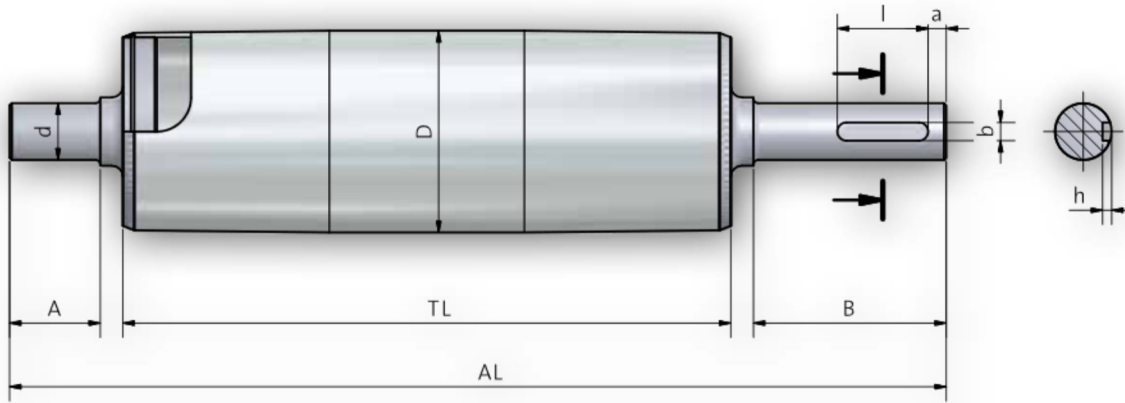
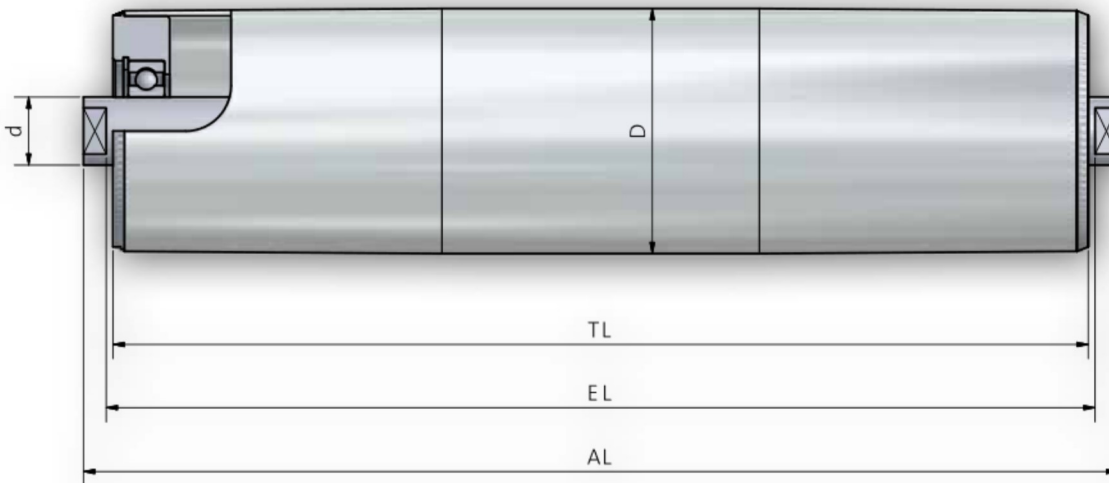


Conveyor Belt Drums

Type 400 A



Type 402 ST

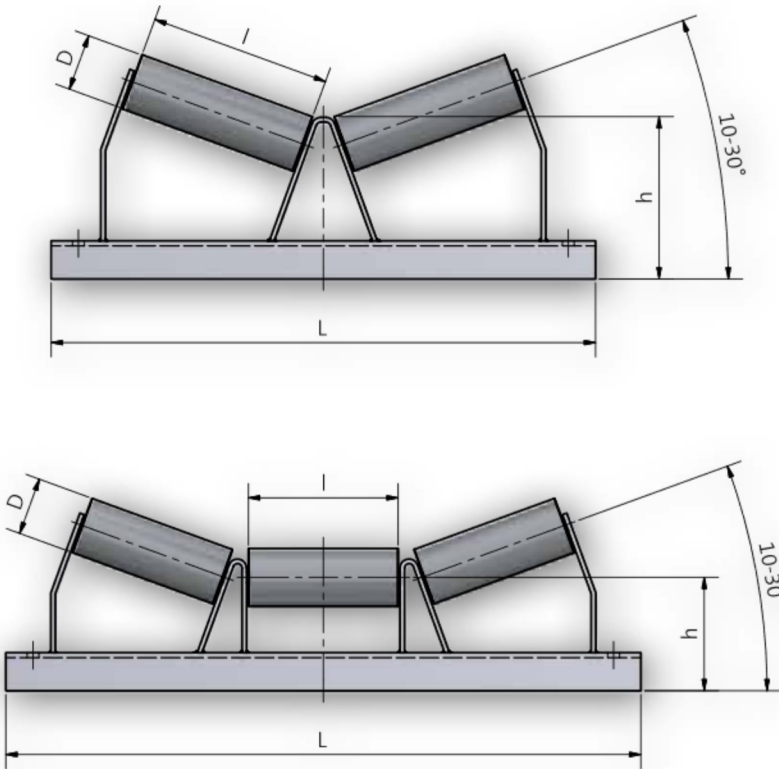


Possible Layouts:

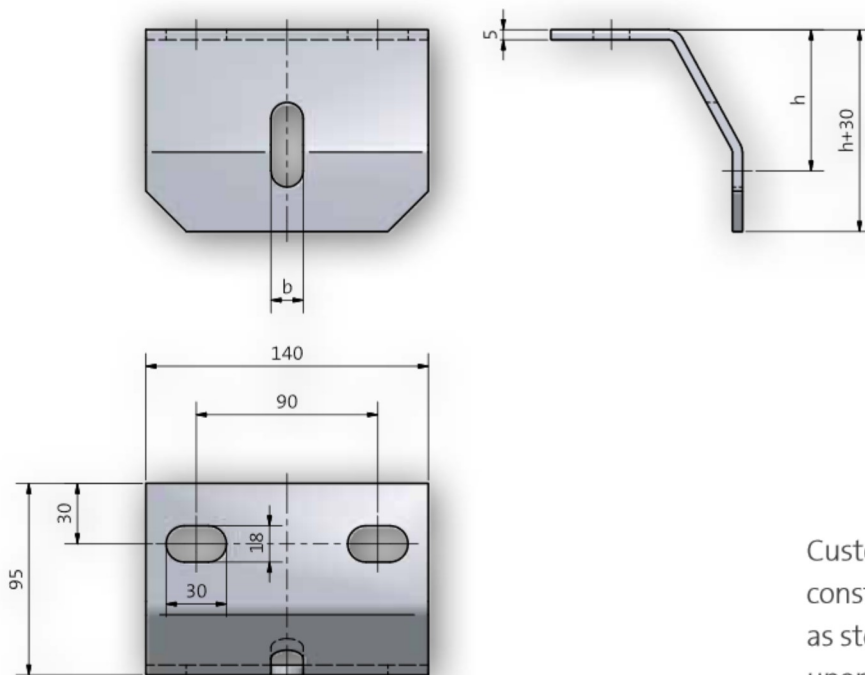
- Polyurethane
- fiber-glass reinforced Polyester
- Stainless Steel
- cylindrical or crowned

Conveyor Belt Stations

High- and Low-Conveyor Station



Made from U-structural steel DIN 59413



Customer Information! Various constructions and dimensions as well as steering and flat belt stations upon request.