

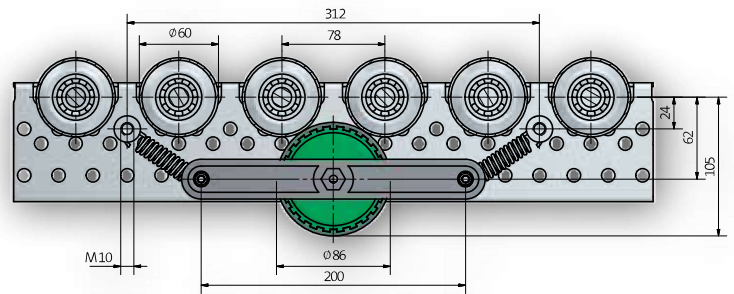
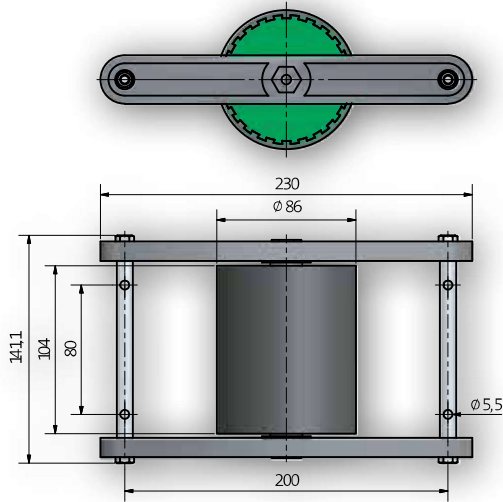
Brake roller Type 710

Type 710-86

Max. decelerated weight at approx. 3,75% inclination with Type 710-86: 5.000 N.

To ensure the proper function of the brake roller, weights of not less than 800 N should be decelerated.

Order example: 710-86



Type 710-120

Max. decelerated weight at approx. 3,75% inclination with Type 710-120: 10.000 N.

To ensure the proper function of the brake roller, weights of not less than 800 N should be decelerated.

Order example: 710-120

