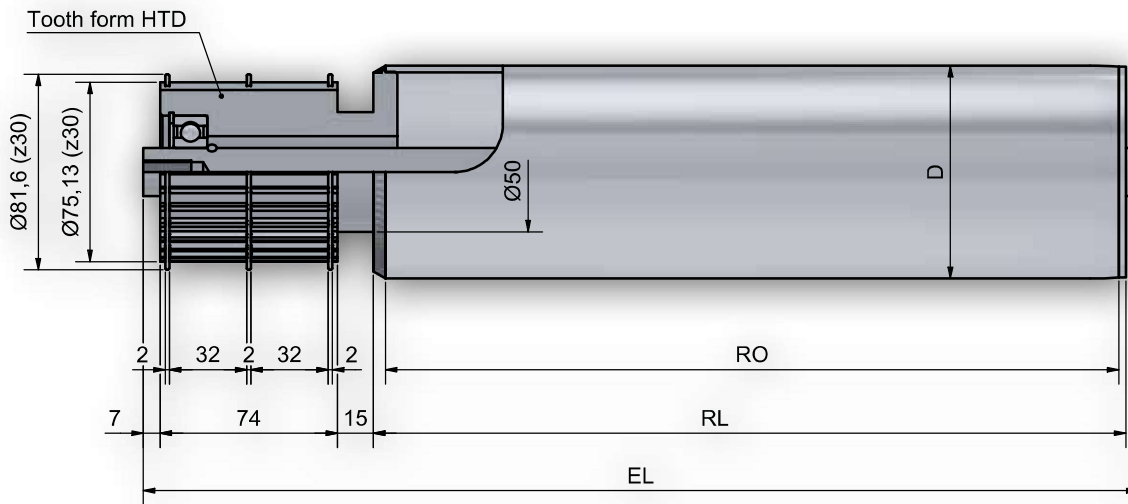


## Roller 534 z30 / z34



### Shaft dimensions

Order Specification		A...IGM...
Shaft- $\varnothing$	EL=	
20	RL+	101
25	RL+	101

### Range of counter bearings for tube- and shaft combinations

Tube dia.	A20	A25
80 x 2	260	
80 x 3	260	
88,9 x 2,9	260	260
108 x 3,25	260	260
133 x 3,6	402WO	402WO

# Roller 534 z30 / z34

## Drive Element

## Steel- Tooth Belt Wheel 8M z=30/z=34 (HTD)

Bearing Type	Ball Bearing (Series 6204, 6005) DIN 625 available in 2RS, ZZ
Load Capacity/Roller	2.000N (depending upon the load limit of tube and shaft)
Max. Speed	0,8 m/s
Range of Temperature Celcius	-5 to +40 C
Type of Drive	Permanent drive, driving element welded to the tube
Note	Roller will be driven by a 30mm wide tooth belt (HTD).

## Order Example

<b>Type</b>	<b>534z34 RS / 260I RS - 88,9x2,9 STI A20 IGM 12x20 EL=1100mm</b>
Type Drive.....	
Ball bearing sealing.....	
Type of counter bearing.....	
Ball bearing sealing.....	
Tube-Ø and wall thickness.....	
Tube quality .....	
Shaft-Ø.....	
Shaft Ends .....	
Installation length .....	