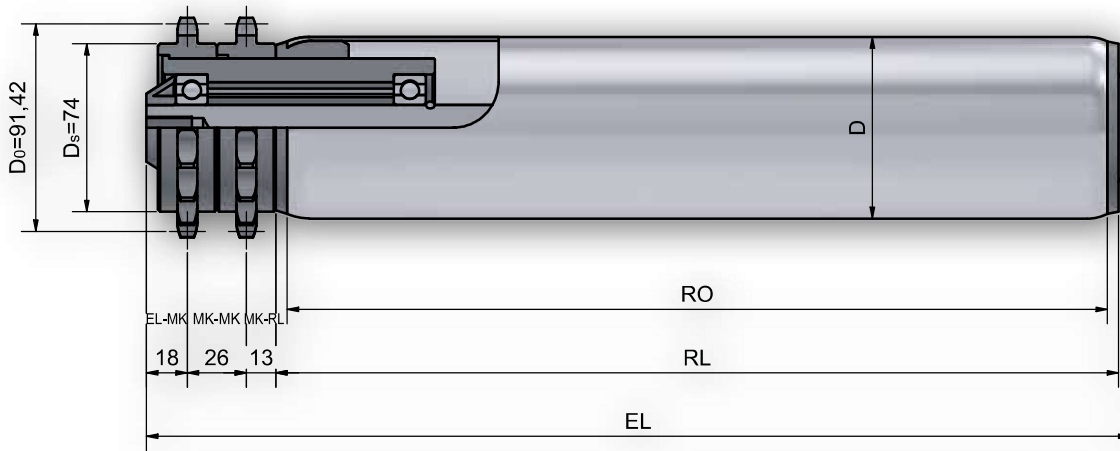


Roller 518



Shaft dimensions

Order Specification		A...IGM...
Shaft-Ø	EL=	
20	RL+	62

Range of counter bearings for tube- and shaft combinations

Tube dia.	A20
80 x 2	402
88,9 x 2,9	402
108 x 3,25	402

Roller 518

Drive Element

Bearing Type
 Load Capacity/Roller
 Max. Speed
 Range of Temperature
 Celcius
 Type of Drive
 Note

Thermoplastic synthetic material - Double Sprocket 5/8" x 3/8" z=18

Ball Bearing (Series 6204, 6005) DIN 625 available in 2RS, ZZ
 1.800N (depending upon the load limit of tube and shaft)
 0,5 m/s
 -5 to +40 C
 Permanent drive, tooth element fit positively to the tube

Order Example

