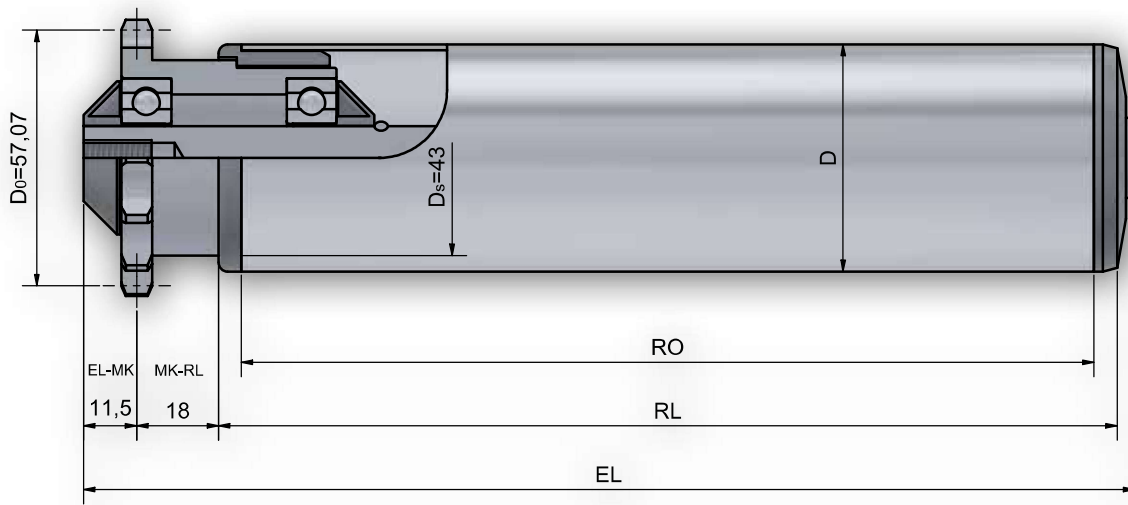

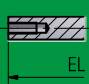


Roller 506 / 507



Shaft dimensions

Order Specification		A...M...	A...IGM...
Shaft-Ø	EL=		
10	RL+	48	
12	RL+	50	36
14	RL+	52	36
15	RL+	52	36
17	RL+	52	36

Range of counter bearings for tube- and shaft combinations

Tube dia.	A10	A12	A14	A17
50 x 1,5	250 / 300 / 302	250 / 300 / 302	250 / 300 / 302	250
50 x 2	250 / 300	250 / 300	250 / 300	250
50 x 2,8 KB/ KGH	300	300	300	
60,3 x 1,65	300	300	300	
60 x 2	250 / 300 / 302	250 / 300 / 302	250 / 300 / 302	250 / 402
60 x 3	250 / 300	250 / 300	250 / 300	250
63 x 3 KB/KGH	300	300	300	
63,5 x 2,9	300	300	300	402
70 x 2	300	300	300	
80 x 2	250 / 300	250 / 300	250 / 300	250 / 402
90 x 7 KB/KGH	300	300	300	

Optional Coatings Page 10

Roller 506 / 507

Drive Element	Steel - Single Sprocket 1/2" x 5/16" z=14 (Bolt Tooth Form)
Bearing Type	Ball bearing (Series 6202, 6003) DIN 625 available in 2RS, ZZ Standard Series 6202 ZZ
Load Capacity/Roller	1.000N (depending upon the load limit of tube and shaft)
Max. Speed	0,3 m/s
Range of Temperature Celcius	-5 to +40 C
Type of Drive	Type 506 Accumulation drive with a pressure of 5% of the loaded material weight Type 507 Permanent drive, driving element fit positivly to the tube by a bushing
Note	Permanent drive only for continuous conveying - for Stop-And-Go use Type 508. For rough materials use adjustable accumulation roller(Type 506R). Conveyor roller Type 506 are even available as double friction roller Type 506DF.

Order Example

Type	506 ZZ / 300 ZZ - 50x1,5 STI A14 IGM 8x15 EL=700mm
Type Drive.....	
Ball bearing sealing.....	
Type of counter bearing.....	
Ball bearing sealing.....	
Tube-Ø and wall thickness	
Tube quality	
Shaft-Ø	
Shaft Ends	
Installation length	