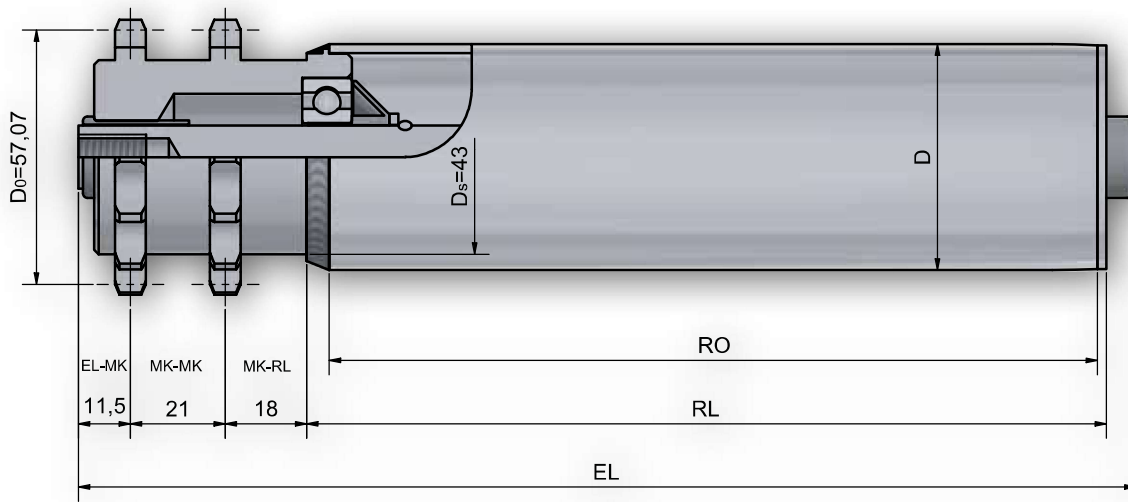
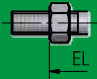



Roller 502



Shaft dimensions

Order Specification		A...M...	A...IGM...
Shaft-Ø	EL=		
10	RL+	69	
12	RL+	71	57
14	RL+	73	57
15	RL+	73	57
17	RL+	73	57

Range of counter bearings for tube- and shaft combinations

Tube dia.	A10	A12	A14	A15	A17	A20
40 x 1,5	290	250 / 290	290			
50 x 1,5	251	250 / 300 / 302	250 / 300 / 302	250 / 302	250	
50 x 2	250 / 300	250 / 300	250 / 300	250	250	
50 x 3	250 / 300	250 / 300	250 / 300	250	250	
60,3 x 1,65	300	300	300			
60 x 2	250 / 300 / 302	250 / 300 / 302	250 / 300 / 302	250 / 301 / 302	250	
60 x 3	250 / 300	250 / 300	250 / 300	250	250	
63,5 x 2,9	300	300	300			260
70 x 2	300	300	300			
70 x 2,9						260
80 x 2	250 / 300	250 / 300	250 / 300	250	250	260
80 x 3	250 / 300	250 / 300	250 / 300	250	250	260
88,9 x 2,9					260	260

Optional Coatings Page 10 Flange Page 236

Roller 502

Drive Element

Steel - Double Sprocket 1/2" x 5/16" z=14

Bearing Type	Ball bearing (Series 6202, 6003) DIN 625 available in 2RS, ZZ Standard Series 6202 ZZ
Load Capacity/Roller	1.500N (depending upon the load limit of tube and shaft)
Max. Speed	0,5 m/s
Range of Temperature Celcius	-5 to +40 C
Type of Drive	Permanent drive, driving element welded to the tube
Note	With special Bearings these roller can even be used in deep freeze areas. Please mention required features when placing order.

Order Example

Type	502 ZZ / 250 ZZ - 60x2 STI A14 IGM 8x15 EL=700mm
Type Drive.....	
Ball bearing sealing.....	
Type of counter bearing.....	
Ball bearing sealing.....	
Tube-Ø and wall thickness.....	
Tube quality.....	
Shaft-Ø.....	
Shaft Ends.....	
Installation length.....	