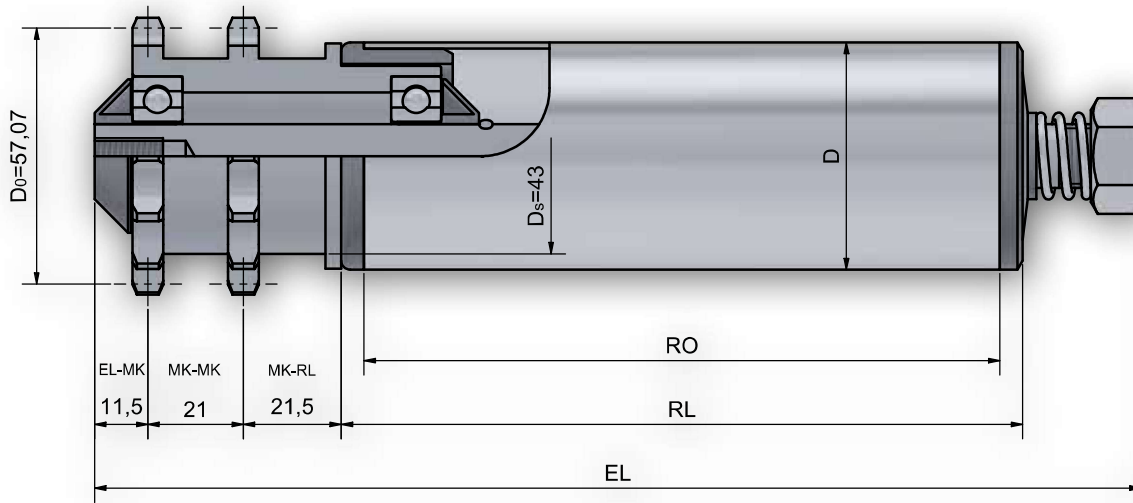


Roller 500R



Shaft dimensions

Order Specification		A...IGM...
Shaft-Ø	EL=	
14	RL+	79
15	RL+	79

Range of counter bearings for tube- and shaft combinations

Tube dia.	A15
50 x 1,5	301 / 402WT
50 x 2	301
50 x 2,8 KB/ KGH	301
50 x 3	301
60,3 x 1,65	301
60 x 2	301 / 402WT
60 x 3	301 / 402WT
63 x 3 KB/KGH	301
63,5 x 2,9	301
70 x 2	301
80 x 2	301

Optional Coatings Page 10

Roller 500R

Drive Element

Steel - Double Sprocket 1/2" x 5/16" z=14

Bearing Type	Ball Bearing (Series 6202) DIN 625 available in 2RS, ZZ Standard Series 6202 ZZ
Load Capacity/Roller	1.000N (depending upon the load limit of tube and shaft)
Max. Speed	0,5 m/s
Range of Temperature Celcius	-5 to +40 C
Type of Drive	Accumulation drive with a pressure of 5% of the loaded material weight (depending on adjustment)
Note	Accumulation pressure to be adjusted manually.

Order Example

Type	500R ZZ / 301 ZZ - 50x1,5 STI A14 IGM 8x15 EL=700mm
Type Drive.....
Ball bearing sealing.....
Type of counter bearing.....
Ball bearing sealing.....
Tube-Ø and wall thickness
Tube quality
Shaft-Ø
Shaft Ends
Installation length