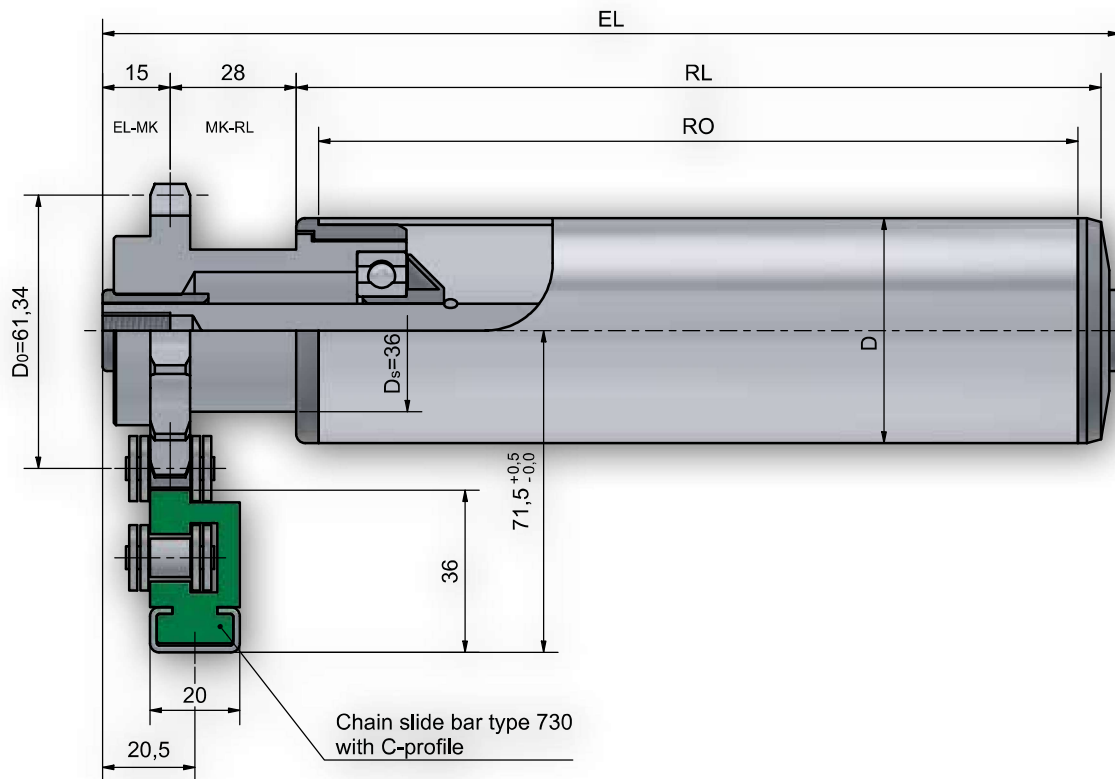


Roller 462 / 463



Shaft dimensions

Order Specification		A...M...	A...IGM...
Shaft-Ø	EL=		
10	RL+	61	
12	RL+	63	49
14	RL+	65	49
17	RL+	65	49

Range of counter bearings for tube- and shaft combinations

Tube dia.	A10	A12	A14	A17
50 x 1,5	250 / 300 / 302	250 / 300 / 302	250 / 300 / 302	301
50 x 2	250 / 300	250 / 300	250 / 300	301
50 x 2,8 KB/KGH	300	300	300	301
60,3 x 1,65	300	300	300	301
60 x 2	250 / 300 / 302	250 / 300 / 302	250 / 300 / 302	301 / 402
60 x 3	250 / 300	250 / 300	250 / 300	301
63 x 3 KB/KGH	300	300	300	301
63,5 x 2,9	300	300	300	402
70 x 2	300	300	300	301
80 x 2	250 / 300	250 / 300	250 / 300	301 / 402
90 x 7 KB/KGH	300	300	300	
Optional	Coatings Page 5			

Roller 462 / 463

Drive Element

Steel - Single Sprocket 5/8" x 3/8" z=12 (Bolt Tooth Form)

Bearing Type	Ball Bearing (Series 6003, 6202, 6303) DIN 625 available in 2RS, ZZ Standard Series 6202 ZZ
Load Capacity/Roller	1.000N (depending upon the load limit of tube and shaft)
Max. Speed	0,3 m/s
Range of Temperature Celcius	-5 to +40 C
Type of Drive	Type 462 Accumulation drive with a pressure of 5% of the loaded material weight Type 463 Permanent drive, driving element fit positivly to the tube by a bushing
Note	Permanent drive only for continuous conveying - for Stop-And-Go use Type 464. For rough materials use adjustable accumulation roller (Type 462R). Accumulation roller not with shaft dia. 17 mm.

Order Example

Type	462 ZZ / 300 ZZ - 60x2 STI A14 IGM 8x15 EL=700mm
Type Drive.....	
Ball bearing sealing	
Type of counter bearing.....	
Ball bearing sealing.....	
Tube-Ø and wall thickness	
Tube quality	
Shaft-Ø	
Shaft Ends	
Installation length	