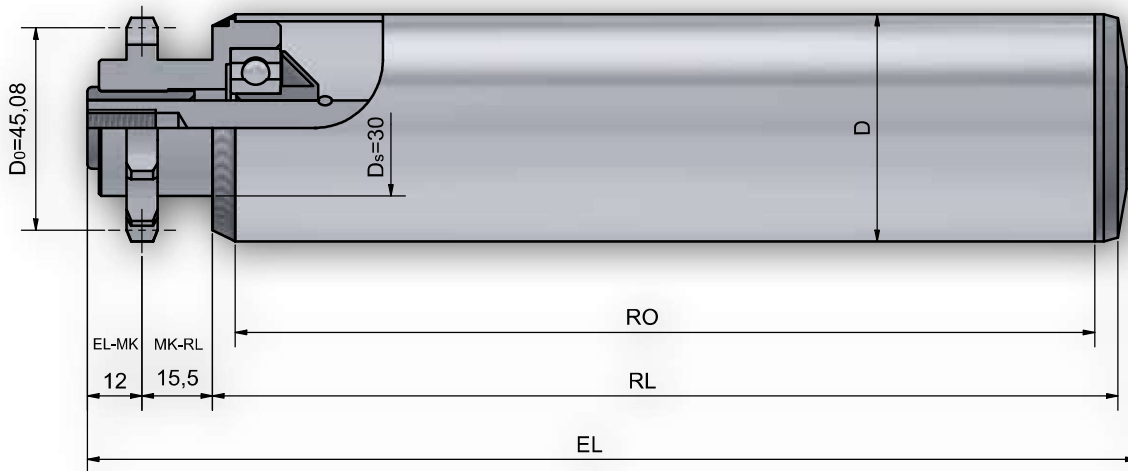




Roller 456



Shaft dimensions

Order Specification		A...M...	A...IGM...
Shaft-Ø	EL=		
10	RL+	45	
12	RL+	47	33
14	RL+	49	33
17	RL+	49	33

Range of counter bearings for tube- and shaft combinations

Tube dia.	A10	A12	A14	A17
50 x 1,5	250 / 300 / 302	250 / 300 / 302	250 / 300 / 302	250
50 x 2	250 / 300	250 / 300	250 / 300	250
60,3 x 1,65	300	300	300	
60 x 2	250 / 300 / 302	250 / 300 / 302	250 / 300 / 302	250 / 402
60 x 3	250 / 300	250 / 300	250 / 300	250
63,5 x 2,9	300	300		301
70 x 2	300	300	300	250
80 x 2	250 / 300	250 / 300	250 / 300	250 / 402

Roller 456

Drive Element

Steel - Single Sprocket 1/2" x 5/16" z=11 (Bolt Tooth Form)

Bearing Type	Ball Bearing (Series 6003, 6202, 6303) DIN 625 available in 2RS, ZZ Standard Series 6202 ZZ
Load Capacity/Roller	1.000N (depending upon the load limit of tube and shaft)
Max. Speed	0,3 m/s
Range of Temperature Celcius	-5 to +40 C
Type of Drive	Permanent drive, driving element welded to the tube
Note	With special Bearings these roller can even be used in deep freeze areas. Please mention required features when placing order.

Order Example

Type	456 ZZ / 300 ZZ - 60x2 STI A14 IGM 8x15 EL=700mm
Type Drive.....	
Ball bearing sealing.....	
Type of counter bearing.....	
Ball bearing sealing.....	
Tube-Ø and wall thickness	
Tube quality	
Shaft-Ø	
Shaft Ends	
Installation length	