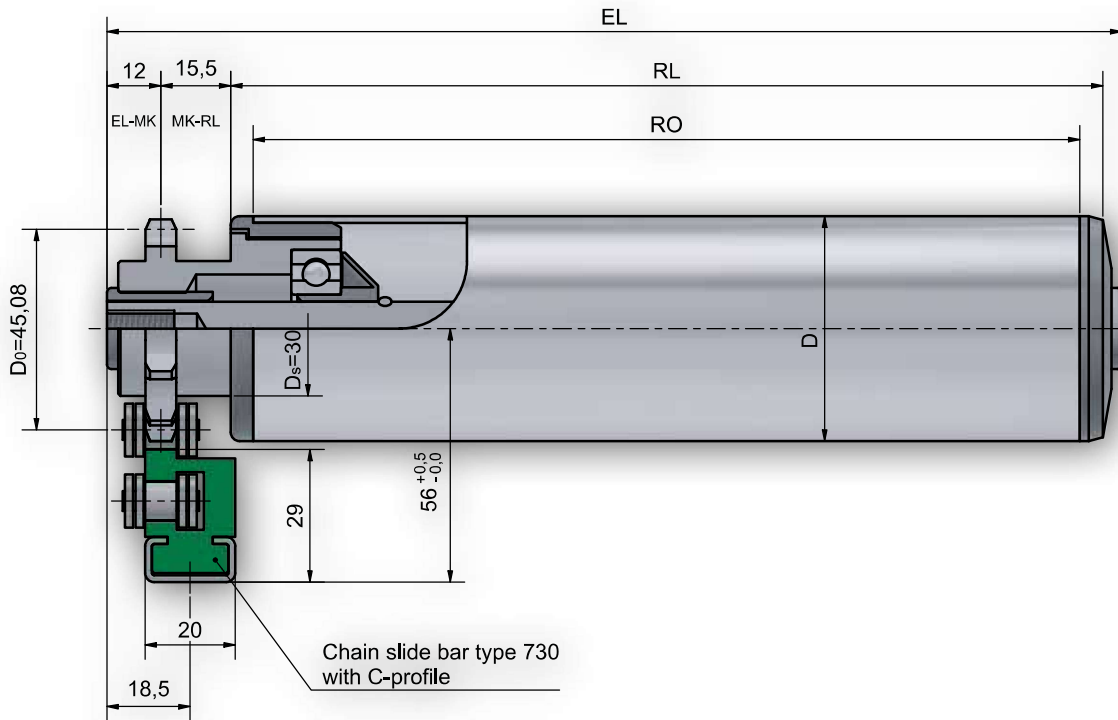


Roller 454 / 455



Shaft dimensions

Order Specification		A...M...	A...IGM...
Shaft-Ø	EL=		
10	RL+	45	
12	RL+	47	33
14	RL+	49	33

Range of counter bearings for tube- and shaft combinations

Tube dia.	A10	A12	A14
50 x 1,5	250 / 300 / 302	250 / 300 / 302	250 / 300 / 302
50 x 2	250 / 300	250 / 300	250 / 300
50 x 2,8 KB/ KGH	300	300	300
60,3 x 1,65	300	300	300
60 x 2	250 / 300 / 302	250 / 300 / 302	250 / 300 / 302
60 x 3	250 / 300	250 / 300	250 / 300
63 x 3 KB/KGH	300	300	300
63,5 x 2,9	300	300	300
70 x 2	300	300	300
80 x 2	250 / 300	250 / 300	250 / 300
90 x 7 KB/KGH	300	300	300

Optional Coatings Page 10

Roller 454 / 455

Drive Element	Steel - Single Sprocket 1/2" x 5/16" z=11 (Bolt Tooth Form)
Bearing Type	Ball Bearing (Series 6202, 6003) DIN 625 available in 2RS, ZZ Standard Series 6202 ZZ
Load Capacity/Roller	1.000N (depending upon the load limit of tube and shaft)
Max. Speed	0,3 m/s
Range of Temperature Celcius	-5 to +40 C
Type of Drive	Type 454 Accumulation drive with a pressure of 5% of the loaded material weight Type 455 Permanent drive, driving element fit positivly to the tube by a bushing
Note	Permanent drive only for continuous conveying.

Order Example

Type	454 ZZ / 300 ZZ - 50x1,5 STI A14 IGM 10x15 EL=700mm
Type Drive.....	
Ball bearing sealing.....	
Type of counter bearing.....	
Ball bearing sealing.....	
Tube-Ø and wall thickness.....	
Tube quality.....	
Shaft-Ø.....	
Shaft Ends.....	
Installation length.....	