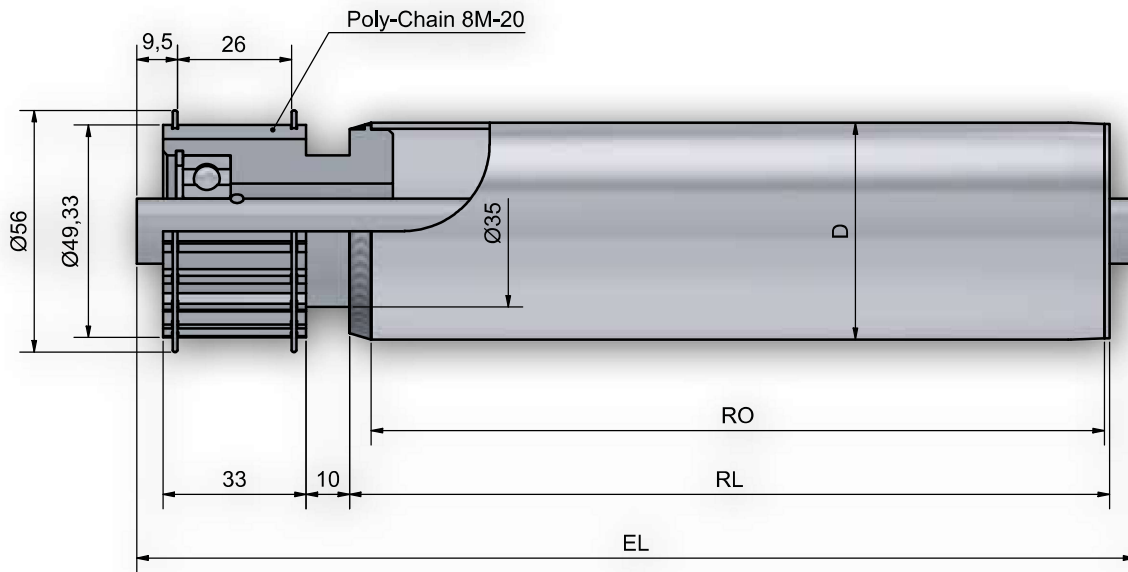


Roller 447



Shaft dimensions

Order Specification		A...M...	A...IGM...
Shaft-Ø	EL=		
15	RL+	70	54
17	RL+	70	54

Range of counter bearings for tube- and shaft combinations

Tube dia.	A15	A17
50 x 1,5	250	250
50 x 2	250	250
50 x 3	250	250
60,3 x 1,65		
60 x 2	250	250
60 x 3	250	250
63,5 x 2,9		
80 x 2	250 / 260	250 / 260
80 x 3	250	250 / 260
88,9 x 2,9		260

Optional Coatings Page 10

Roller 447

Drive Element

Steel - Tooth Belt 8M z=20 (Poly-Chain)

Bearing Type	Ball Bearing (Series 6202) DIN 625 available in 2RS, ZZ Standard Series 6202 ZZ
Load Capacity/Roller	1.500N (depending upon the load limit of tube and shaft)
Max. Speed	1,2 m/s
Range of Temperature Celcius	-5 to +40 C
Type of Drive	Permanent drive, driving element welded to the tube
Note	With special Bearings these roller can even be used in deep freeze areas. Please mention required features when placing order.

Order Example

Type	447 ZZ / 250 ZZ - 50x1,5 STI A14 IGM 10x15 EL=700mm
Type Drive.....
Ball bearing sealing.....
Type of counter bearing.....
Ball bearing sealing.....
Tube-Ø and wall thickness
Tube quality
Shaft-Ø
Shaft Ends
Installation length