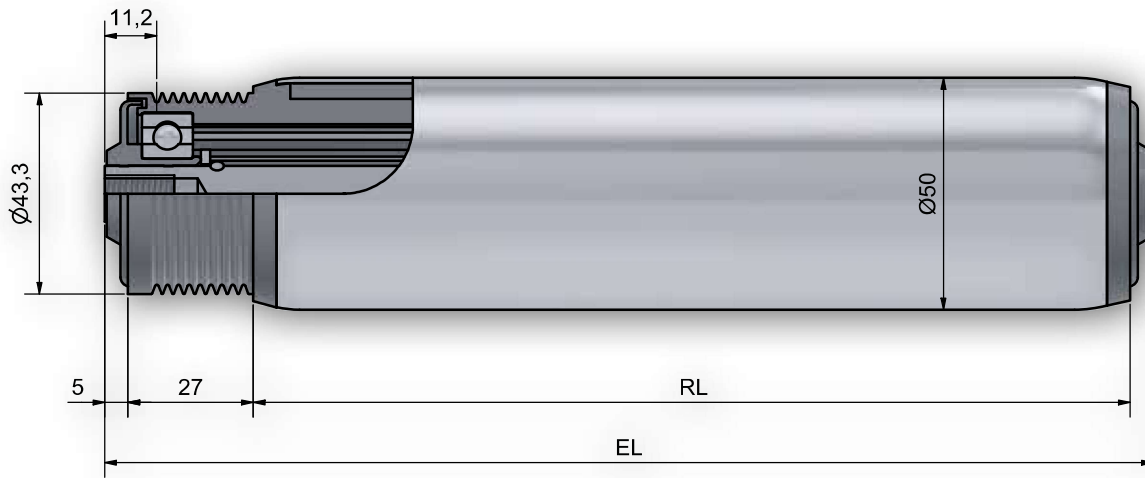


Roller 420



Shaft dimensions

Order Specification	A...M...	A...AGM...	A...IGM...	A...glatt	A...FA...
Shaft-Ø	EL=				
10	RL+		37		37
S 11	RL+			37	37
12	RL+	51	37		37
14	RL+	53	37		37
15	RL+		37		37

Range of counter bearings for tube- and shaft combinations

Tube dia.	A10	ASK11	A12	A14	A15
50 x 1,5	302	302	302	302	302

Roller 420

Drive Element	Thermoplastic synthetic material - Ripped-V-Belt PJ profile (DIN 7867)
Bearing Type	Ball Bearing (Series 6202) DIN 625 available in 2RS, ZZ Standard Series 6202 ZZ
Load Capacity/Roller	500N (depending upon the load limit of tube and shaft)
Max. Speed	1,2 m/s
Range of Temperature Celcius	-5 to +40 C
Type of Drive	Permanent drive, driving element fit positively to the tube
Note	Roller will be driven by belts with 2 or 3 ribs. Antistatic version.

Order Example

Type	420 ZZ / 302 ZZ - 50x1,5 STI A14 IGM 10x15 EL=700mm
Type Drive.....
Ball bearing sealing.....
Type of counter bearing.....
Ball bearing sealing.....
Tube-Ø and wall thickness.....
Tube quality.....
Shaft-Ø.....
Shaft Ends.....
Installation length.....