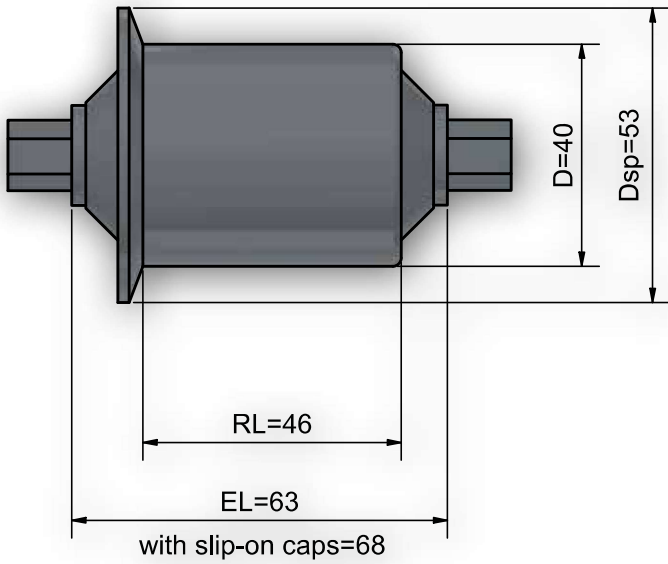
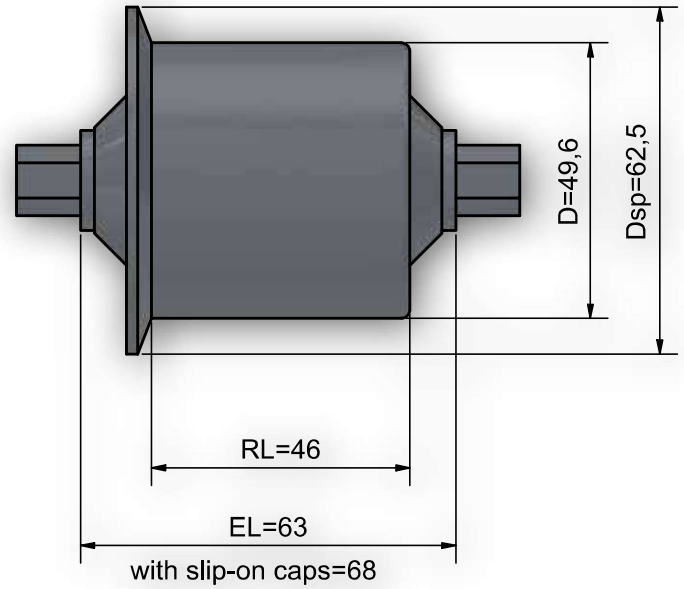


Roller 320



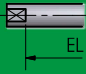
Type 320-40 KS



Type 320-50 KS



Shaft dimensions

Order Specification		A...IGM...	A...glatt	A...SW...
Shaft-Ø	EL=			
8	RL+	17	17	17
10	RL+	17	17	17
S 11	RL+		17	
12	RL+	17	17	17
14	RL+	17	17	17

Roller 320

Bearing Type

Type of Bearing

Load Capacity/Roller

Max. Speed

Range of Temperature
Celcius

Optional

Note

Thermoplastic synthetic material - Bearing Site

Ball Bearings (Series 6202) DIN 625 available in 2RS, ZZ Standard Series
6202ZZ - plastic distance bushings to get the shaft diameters

1.200N (depending upon the load limit of tube and shaft)
See fold-out cover

1,2 m/s

-5 to +50 C

For use as guide roller for Flat Belts.