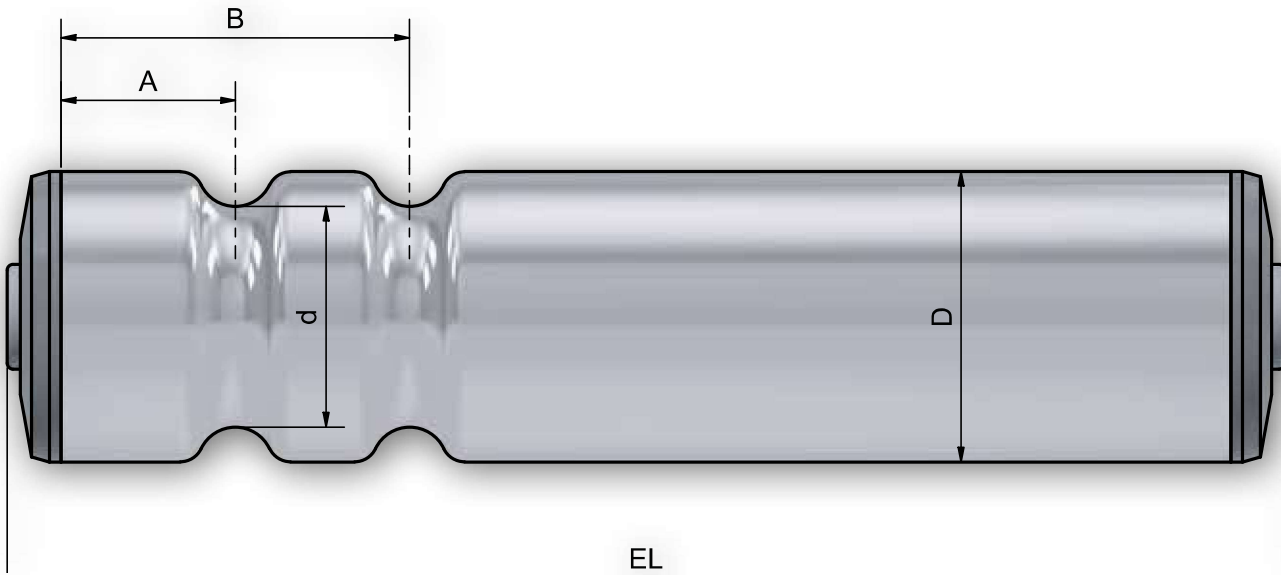


Roller 306 / 307 / 308 / 309



Steel tube

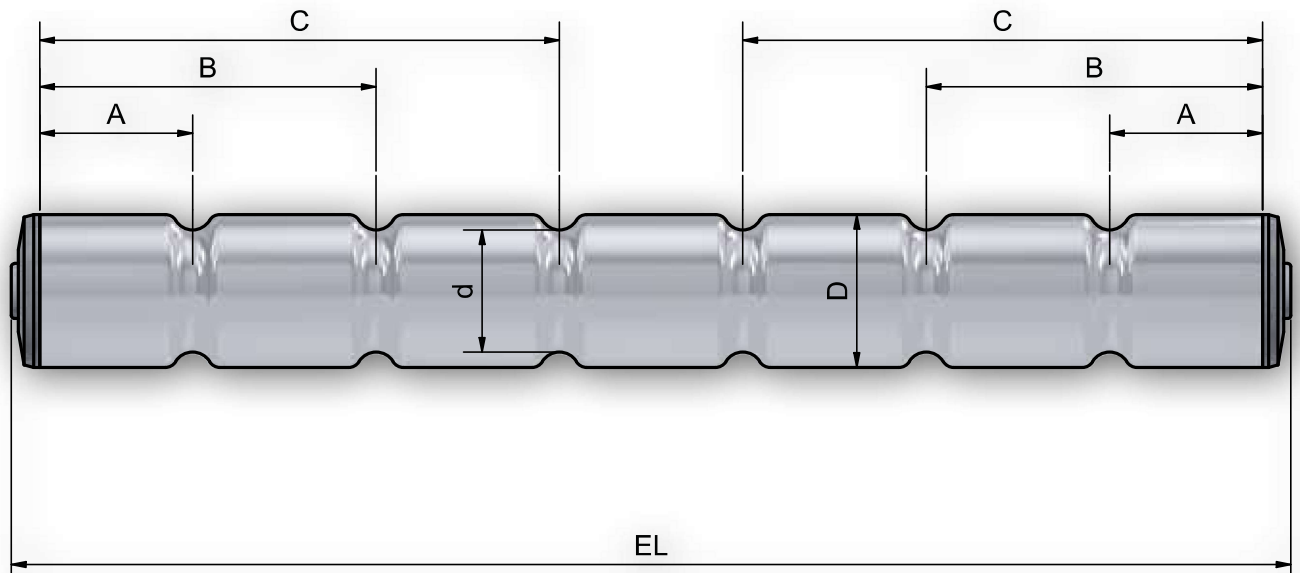
Belt-Ø	4	4	5	6	6	6	6	8	8
Tube dia.-Ø	30x1	40x1,5	48x1,5	50x1,5	60x2	63,5x2,9	80x3	88,9x2,9	108x3,25
A min	30	30	30	30	35	35	35	35	35
(B-A) min	30	30	30	30	35	35	35	35	35
d min	22	32	38	38	48	51	68	73	92

Plastic tube

Belt-Ø	4	4	5	5
Tube dia.-Ø	30x1,8	40x2,3	50x2,8	63x3
A min	35	35	30	35
(B-A) min	30	30	30	35
d min	22	32	40	53

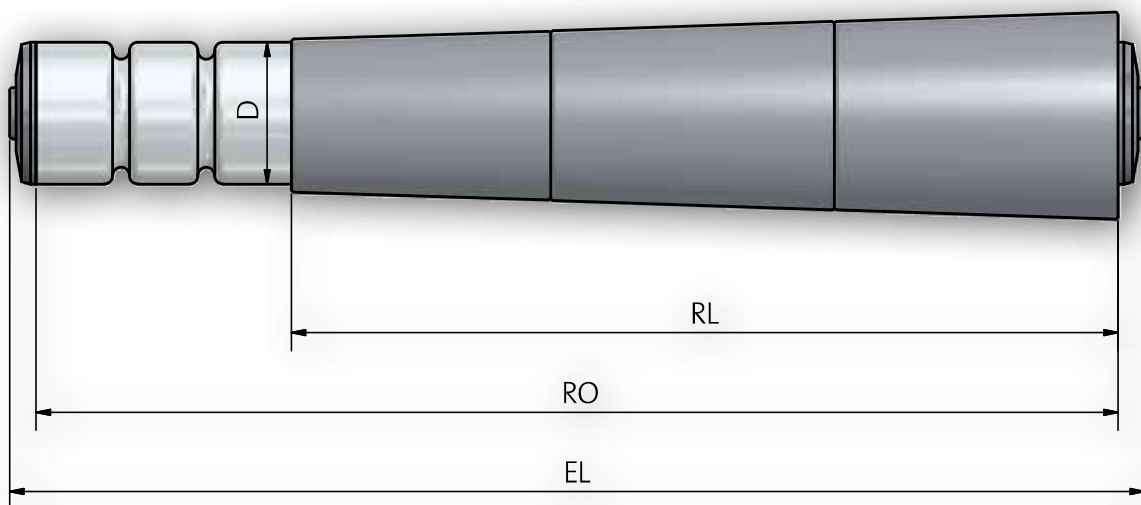
The following roller types can be used as grooved rollers:
60, 250, 260, 290, 300, 301, 302, 400, 402

Roller 306 / 307 / 308 / 309

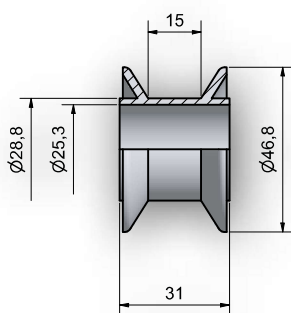


Note

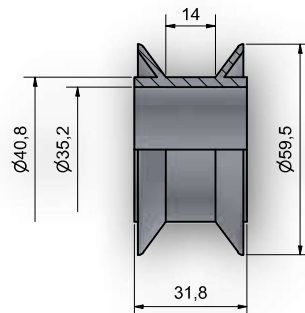
Type 306 available with more grooves spread over the length. Minimum distance between grooves 30 mm.



Accessories: Round belt wheel



Shaft 25



Shaft 35

Order extension to be placed in front of roller type:

- 306 = 1 groove
- 307 = 2 grooves
- 308 = 3 grooves
- 309 = 4 grooves