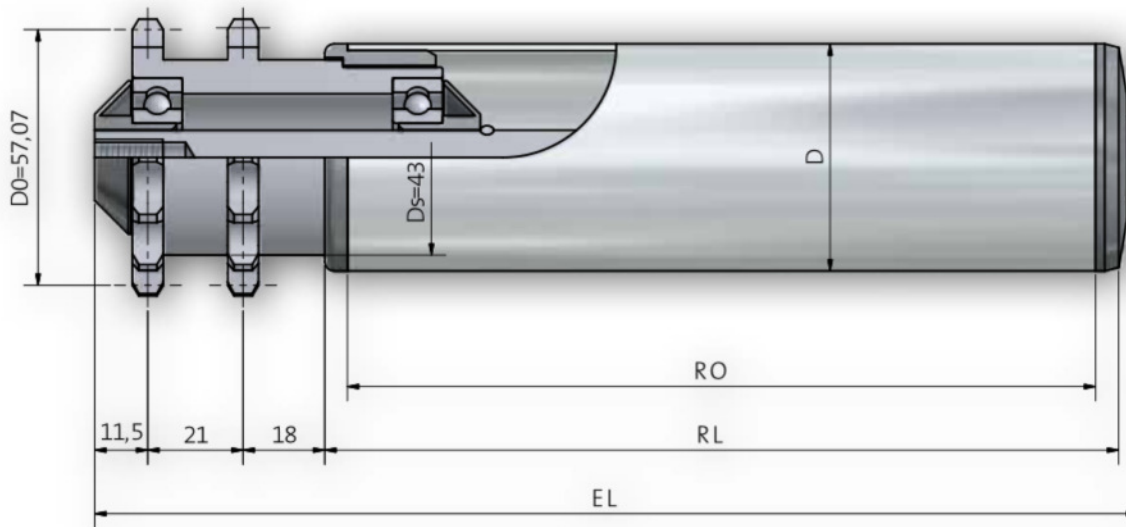


## Roller 500 / 501



### Shaft dimensions

Order Specification		A...M...	A...JGM...
Shaft- $\phi$	EL=		
10	RL+	69	
12	RL+	71	57
14	RL+	73	57
15	RL+	73	57
17	RL+	73	57

### Range of counter bearings for tube- and shaft combinations

Tube dia.	A10	A12	A14	A17
50 x 1,5	250 / 300 / 302	250 / 300 / 302	250 / 300 / 302	301
50 x 2	250 / 300	250 / 300	250 / 300	301
50 x 2,8 KB/KGH	300	300	300	
60,3 x 1,65	300	300	300	
60 x 2	250 / 300 / 302	250 / 300 / 302	250 / 300 / 302	301 / 402
60 x 3	250 / 300	250 / 300	250 / 300	301
63 x 3 KB/KGH	300	300	300	
63,5 x 2,9	300	300	300	402
70 x 2	300	300	300	
80 x 2	250 / 300	250 / 300	250 / 300	301 / 402
90 x 7 KB/KGH	300	300	300	

# Roller 500 / 501

<b>Drive Element</b>	<b>Steel - Double Sprocket 1/2" x 5/16" z=14</b>
Bearing Type	Ball bearing (Series 6202, 6003) DIN 625 available in 2RS, ZZ Standard Series 6202 ZZ
Load Capacity/Roller	1.000N (depending upon the load limit of tube and shaft)
Max. Speed	0,5 m/s
Range of Temperature Celcius	-5 to +40 C
Type of Drive	Type 500 Accumulation drive with a pressure of 5% of the loaded material weight Type 501 Permanent drive, driving element fit positivly to the tube by a bushing
Note	Permanent drive only for continuous conveying - for Stop-And-Go use Type 502. For rough materials use adjustable accumulation roller(Type 500R). Conveyor roller Type 500 is available as double friction roller Type 500DF.

## Order Example

<b>Type</b>	<b>500 ZZ / 300 ZZ - 50x1,5 STI A14 IGM 8x15 EL=700mm</b>
Type Drive .....	.....
Ball bearing sealing .....	.....
Type of counter bearing .....	.....
Ball bearing sealing .....	.....
Tube-Ø and wall thickness .....	.....
Tube quality .....	.....
Shaft-Ø .....	.....
Shaft Ends .....	.....
Installation length .....	.....